

# 1-651 L-Wing-Handle Pr20.1 L18

Hand operable, IP65, Padlockable

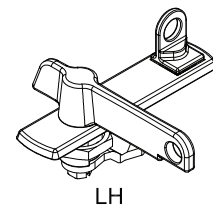
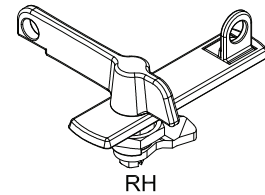
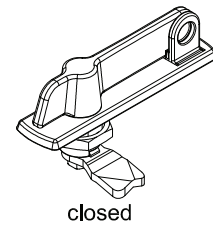
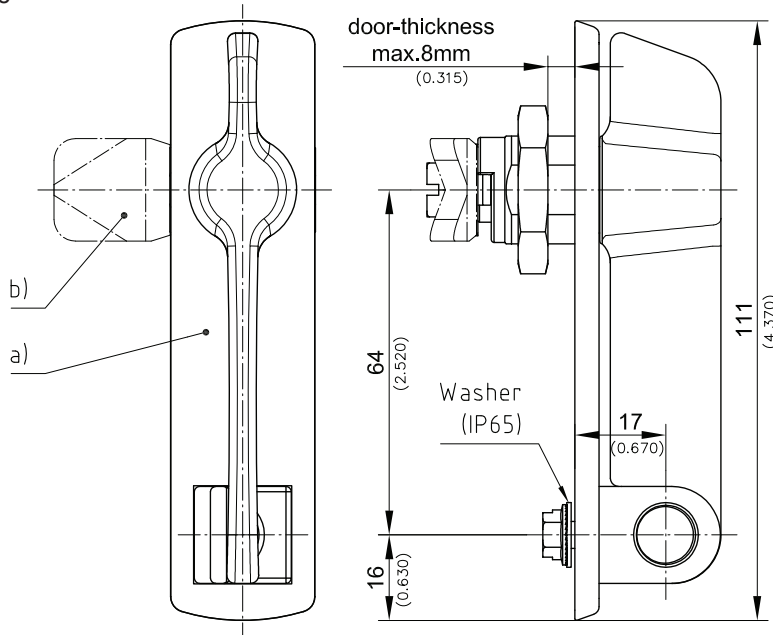
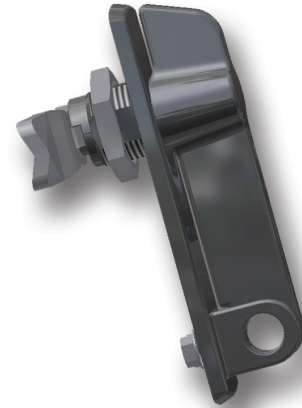


## Product Notes:

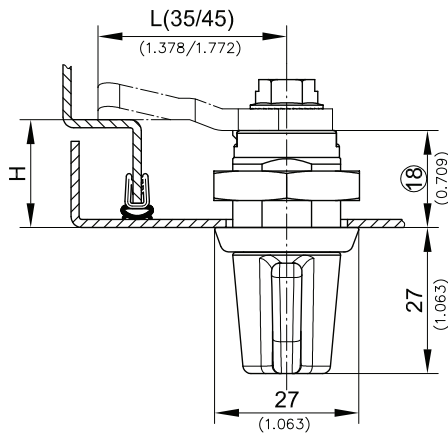
- Light duty applications
- For the standard cutout and additional hole for the padlock eyelet
- The 2-point fastening reduces tempering
- RH and LH application - the padlock eyelet also used as a stop, is asymmetric for RH/LH
- In closed position the wing handle is always fully vertical
- L-Wing-Handle

## Material:

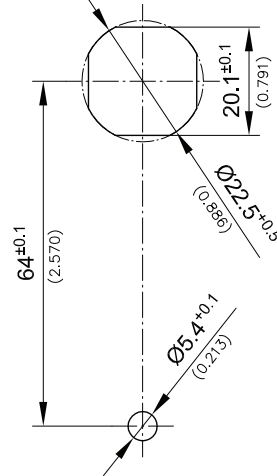
- **Housing, stop and handle:** Zinc Die, Black
- **Nut and hex screw:** Steel
- **Internal wave washer:** Steel, Zinc Plated



Example of application



Cutout



	Part No.	See Page
a) L-Wing handle	281-9101.00-00000	
b) Cam		01.101, 01.102

## Optional:

Water and dust tight according to IP65, DIN EN 60529 by:

c) O-ring for insert	200-1001.00-00000
d) Flat external seal	200-0904.00-00000
e) Washer, PA natural	832-0125.00-00005